

Position	Amount	Type number	Description	PG
100	1	1381099322	SLIDE PLUG, COVER SECTION	13
101	1	6330100050	TAPPED BUSHING M 8 KERB-KONUS	15
102	1	1383099370	COVER EXTRUSION 200 MM	30
103	1	1482100704	END PLATE, COVER EXTRUSION BL 1,50X19X17	14
104	1	6172015687	CROSS REC'D PAN HEAD TAP.SCREW	10
105	1	6172001791	Fillister head screw w. cross head	10
106	1	141150110	Washer	10
107	1	7051099359	TORSION SPRING RDI 4,5 CHROMATIERT	10
108	1	1385099971	KEY PIN RD 4X48 CHROMATIERT	12
109	1	7055043684	FLEXIBLE PRESSURE PIECE	19
110	1	1381099349	COVER CLASP, FENCE ASSEMBLY	13
111	1	1380099205	LID	47
112	1	1381099330	CLAMPING PIECE, COVER SECTION	13
113	1	7001005922	STARKNOB SCREW RD40/M8X33 (DIN 933) VERZ	13
114	1	141131010	Hexagonal nut	10
115	1	7001114667	STARKNOB SCREW M 8X48 (DIN 933) VERZINKT	13
116	1	6103001178	Hex head screw	10
117	1	141151340	Washer	10
118	1	7151099879	FRICITION BEARING B RD 30X34X42X2X10 B	12
119	1	1485111286	GUIDE SHAFT, QUICK ADJUSTER RD 30X200	30
120	1	1385099963	KEY PIN RD 4X94 CHROMATIERT	13
121	1	6143124744	HEX. HEAD THREAD ROLLING SCREW	10
122	1	141131010	Hexagonal nut	10
123	1	6241133255	KNURLED THUMB NUT RD 62,5 M 8	17
124	1	6306099548	SHIM RING 12X18X1 VERZ.	10
125	1	1381100029	SCALE, QUICK ADJUSTER 20X99,5	16
126	1	1485111294	GUIDE SHAFT, FINE ADJUSTER RD 30X194	30
127	1	1381099390	LOCKING RING, SPINDLE LATCH	15
128	1	141116840	Self-tap. fill. h. screw	10
129	1	1385099890	LOCK BOLT RD 16X100 / M16X1	26
130	1	6721099600	FEATHER KEY A 4X4X12	10
131	1	141180060	RETAINING RING	10
132	1	1381099400	SETTING KNOB, SPINDLE LATCH KPL.MIT SKA	21
133	1	1142100165	ADHESIVE LABEL 0,65XRD30,7 OHNE AUFDRUCK	15
134	1	7055099906	FLEXIBLE PRESSURE PIECE M 6X14 K	16
136	1	7001005922	STARKNOB SCREW RD40/M8X33 (DIN 933) VERZ	13
137	1	1385099947	PINION SHAFT RD 15X98 M=1,5 Z=8	33
138	1	1014015260	CARRIER, GUIDE SHAFT	26
139	1	141113040	Fillister head screw	10
140	1	1382100006	VERNIER CARRIER BL 1,5X28X97	14
141	1	6304084020	Serrated lock washer	10

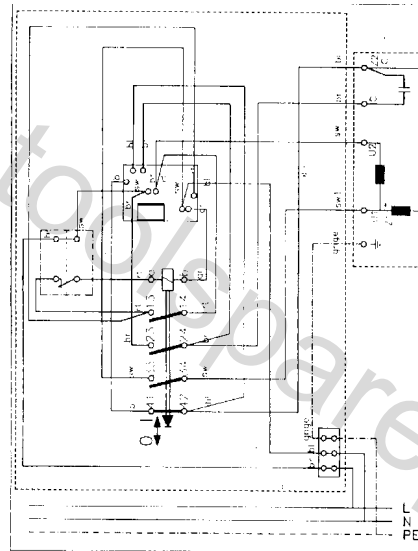
142	1	141130070	Hexagonal nut	10
143	1	1141100110	ADHESIVE LABEL WHITE/RED 20X14 NONIUS-SC	12
144	1	6552099883	PRESS-FIT BOLT, THREADED M 8X35 PEM	13
145	1	1485111391	SHAFT, TOOTHED RACK RD 30X200	36
146	1	7001115310	STARKNOB SCREW M 8X28 (DIN 933) VERZINKT	14
147	1	1381099381	PRESSURE SPRING, HANDGUARD	29
148	1	1482100453	FENCE END PLATE BL 1,50X19X124	13
149	1	1393100369	FENCE EXTRUSION 370 MM	30
150	1	1380099183	CARRIER, FENCE EXTRUSION	36
151	1	6132002060	HEX.SOCKET COUNTERS.HEAD SCREW	10
152	1	1492024500	SLIDE WASHER FL 16X5X60,9	14
153	1	1380099167	HOUSING, FENCE	57
154	1	7000017730	STARKNOB NUT	12
200	1	1382099733	FRONT PANEL BL 2,50X470X638	37
202	1	141130130	Hexagonal nut	12
204	1	1382114333	FOOT PANEL BL 2,50X46X49	13
205	1	6621074502	BLIND RIVET, MUSHROOM HEAD 6,4X12 FLACHR	10
206	1	7057111385	ADJUSTING FOOT RD 50 / M 10X35 SCHWARZ	21
207	1	1382099687	SIDE-PANEL BL 2,5X470X523	39
300	1	1380613626	CONICAL GEAR WHEEL	16
301	1	1385400116	AUFSATZRING	
302	1	1380400088	SWIVEL GUIDE BEARBEITET	57
303	1	6141099432	EYE BOLT M 12X65 GEWINDELÄNGE 45 MM	22
304	1	6500099443	PARALLEL PIN 12 m6X45	13
305	1	1482100461	CARRIER, MOTOR FL 15X5X40	12
306	1	6103015675	Hex head screw	10
307	1	6205055744	HEXAGON THIN NUT M 12 VERZ. FORM B	10
308	1	6103001127	Hex head screw	10
309	1	7100083463	DEEP GROOVE BALL BEARING	18
310	1	1385099564	SHAFT RD 16X275	32
311	1	1014015236	GUIDE TUBE	34
312	1	6172047473	CROSS REC'D PAN HEAD TAP.SCREW ST 4,2X9,	10
314	1	1482100674	POINTER, HEIGHT ADJUSTMENT BL 1,50X15X12	21
315	1	7151099260	FRICTION BEARING RD 16X30X10 A	14
316	1	141180370	Retaining ring	10
317	1	1381099284	SCALE DISC, HEIGHT ADJUSTMENT RD 134X41	24
318	1	7003114680	HANDWHEEL RD 125X12 NUT 4 GRIFFAUFNAHME	34
319	1	1485111332	THREADED ROD RD 10X301,5 M8 KLEMMVORRICH	23
320	1	6503001681	Tightening pin	10
321	1	7007069620	PALM GRIP D=50 / BUCHSE 10 FORM C	20
322	1	6305002508	WASHER B 13 VERZ.	10
323	1	1482404118	POINTER, SPINDLE TILT BL 1,50X65,5X152	19

324	1	7151099224	FRICITION BEARING S RD 12 G7 S	15
325	1	6300099643	COARSE WASHER A 20 VERZ.	10
326	1	141130100	Hexagonal nut	10
327	1	1383099923	CLAMPING PIPE RD 26,4X299,5	21
328	1	1383099915	TOOTHED RACK Z=8 M=2 L=365	27
329	1	2391203167	BEARING BUSH RD 20/25/30X15 MIT BUND	10
330	1	6721099553	FEATHER KEY A 3X3X18	10
332	1	7151100060	FRICITION BEARING B RD 10X12X4X1 B	12
333	1	6163087683	HEX. SOCKET SET SCREW, DOG PT. M 8X12 VE	10
334	1	1485111278	TWIST LOCK RD 50X16	29
335	1	141155790	Circlip	10
336	1	7100017924	DEEP GROOVE BALL BEARING 30X55X13 6006-2	25
337	1	6400009927	RETAINING RING FOR SHAFTS 30X1,5	10
338	1	1385400248	GUIDE TUBE 292 MM	53
339	1	7053122250	CUP SPRING 51,5X35,5X0,6	13
340	1	7100093418	DEEP GROOVE BALL BEARING 25X52X15 6205-2	24
341	1	1385610013	CUTTER SPINDLE RD 35X511	45
342	1	6721019738	FEATHER KEY A 6X6X36	10
343	1	1485099790	SPACING COLLAR RD 30X50X25	28
344	1	1485099782	SPACING COLLAR RD 30X50X16	27
345	1	1485099774	SPACING COLLAR RD 30X50X10	26
346	1	1485099766	SPACING COLLAR RD 30X50X8	26
347	1	1485099758	SPACING COLLAR RD 30X50X5	26
348	1	1485111316	SPINDLE NUT M 30X2 / SW 41X21,5	26
349	1	1385099530	SPINDLE, TRAPEZIUM THREAD RD 16X245	33
350	1	1480400352	GUIDE BAR RD 20X120	26
351	1	1381403145	CLAMP 54X18X13	13
352	1	6304001745	Serrated lock washer	10
353	1	141110320	Hexagon head screw	12
355	1	7240411576	POLY-RIB PULLEY 4J / RDA 133X93 RDI 20 P	39
356	1	6301000306	SPRING LOCK WASHER B 12 VERZ.	10
357	1	6200017992	HEXAGON NUT	10
358	1	6205032396	HEXAGON THIN NUT	10
359	1	1482119669	TOOTHED PLATE BL 4,0X245X263	40
361	1	6202002291	HEXAGON NUT, PREV. TORQUE TYPE	10
362	1	7053099658	CUP SPRING 40,0X20,4X2,25 A40/GR1	14
363	1	141114860	Hexagon head screw	12
364	1	7006114223	RATCHET LOCK LEVER, MALE M 10X60	24
365	1	1385099130	BOLT RD 10h11X(65) /M8	21
366	1	141150050	Washer	10
367	1	141130130	Hexagonal nut	12
368	1	1381099276	SPINDLE NUT TR 16X4X29	15

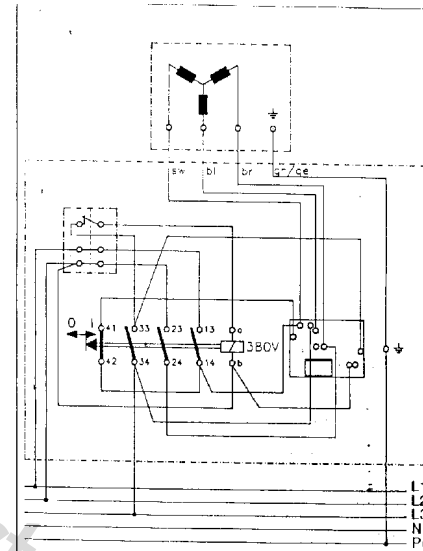
370	1	6172001830	Fillister head screw	10
371	1	141150130	Washer	10
372	1	141110260	Hexagon head screw	10
373	1	1380400258	MOTOR MOUNT	42
374	1	6202024139	HEXAGON NUT, PREV. TORQUE TYPE	10
376	1	6442025779	SPACER SLEEVE RD 15/6X18	10
377	1	6121023081	Cap screw	10
378	1	6304084047	Serrated lock washer	10
379	1	141110290	Hexagon head screw	12
380	1	7055100076	FLEXIBLE PRESSURE PIECE M16X33 K	24
381	1	1385099937	CLAMPING ROD, SPINDLE TILT RD 7X390 M 8	19
382	1	1392200688	CLAMPING LID BL 2,99X RD 35	13
383	1	6110000594	CUP SQUARE NECK SCREW	10
384	1	1482100445	CROSSHEAD PLATE BL 2,99X244,5X322	35
387	1	6202002305	HEXAGON NUT, PREV. TORQUE TYPE	10
388	1	7240411584	POLY-RIB PULLEY 4J / RDA 158X61 RDI 20 P	40
389	1	6103001267	Hex head screw	12
390	1	7233072502	POLY-RIB BELT 4 PJ 711	20
392	1	7151145307	GUIDE STRIP 2,5X9,5X223	20
393	1	7632146242	O-RING 75,57X5,33 90 SHORE	14
394	1	1381170540	WIPER RING 70X78X5	20
400	1	1380099000	FRAESTISCH GEHAERTET	
401	1	1014635048	TABLE RINGS RD 65/115 ET	27
403	1	1382099695	REAR PANEL BL 2,50X470X638	44
404	1	7014111640	CLIP-IN-CLIP SERIE 600	12
405	1	7014111632	NEOPREN WASHER SERIE 600	10
406	1	1381108550	DOOR LID, REAR HOUSING PANEL 65X315X500	35
407	1	7014168286	PIN SERIE 600 MIT SCHLITZ	14
408	1	6621007910	BLIND RIVET, MUSHROOM HEAD 4X10 F FLACHR	10
409	1	1321712858	BOLT-ON HINGE 40X40	19
411	1	6121102640	HEXAGON SOCKET HEAD CAP SCREW	10
412	1	141150010	Washer	10
413	1	1142100173	ANGLE SCALE-SHAFT TILT 1,00X14X194 -10/+	22
414	1	1382412202	SIDE-PANEL BL 2,50X470X523 RECHTS+LINKS	42
416	1	1381100517	SELECTOR FORK	14
417	1	1382114791	FRONT PANEL BL 2,5X470X638	39
418	1	6503001665	CLAMPING SLEEVE 4X20	10
419	1	6172028215	Fillister head screw	10
420	1	1385412157	SWITCHING BOLT RD 10X115	19
421	1	8242033664	STRAIN RELIEF	10
422	1	6172001805	Fillister head screw w.fill. head screw	10
423	1	141130930	Hexagonal lock nut	10

425	1	7238100598	BOWDEN WIRE RD 1,5X750	26
426	1	1382412164	SPEED DISPLAY BL 1,5X62X126	13
429	1	6264166657	CAGE NUT	10
7000	1	8133114700	SWITCH/POWER CABLE ASS'Y RDN N=5X1X3000M	58

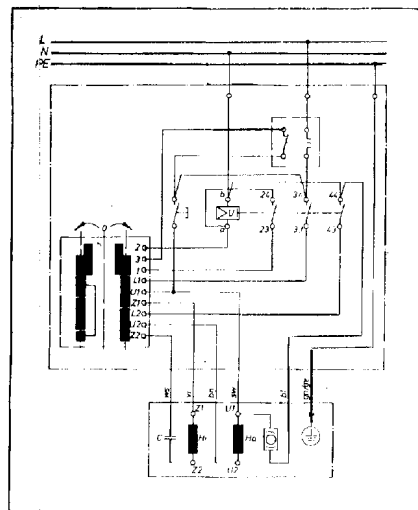
toolspareparts.com.au



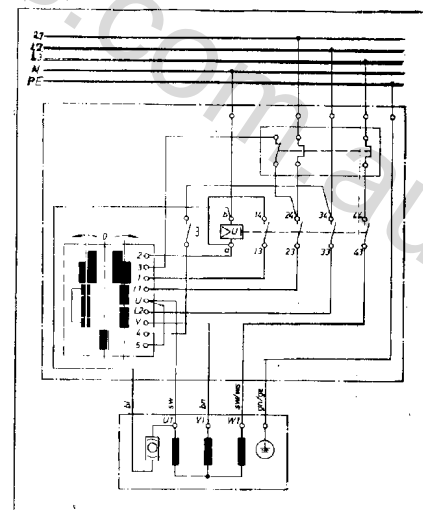
3,1 WNB



4,2 DNB



3,1 RWNB



4,2 RDNB